





ATLAS

SINCE 1919

**STABLE.
STRONG.
STEADY.**

 33.3 - 36 t

 180 kW (245 HP)

 13.5 - 18.2 m



MATERIAL HANDLING MACHINE 350MH

WWW.ATLASGMBH.COM

TECHNICAL SPECIFICATION 350MH

Technical Specification

ENGINE

Power according to ISO 14396 180 kW (245 HP)	Cylinder capacity 6100 cm ³	Air filter Dry air filter
RPM 1800/min ⁻¹	Number of cylinders 6	Battery 2x 12V / 100 Ah
Make Deutz TCD 6.1 L6 EU Stage V	Borehole/lift 101/126	Alternator 28 V / 100 A
Design Turbocharger / intercooler	Cooling system Water-cooled	Starter 24 V / 5.5 kW

HYDRAULIC SYSTEM

<ul style="list-style-type: none"> • AWE 4 system (load sensing) • Load-limit-controlled high-performance piston pumps • Fuel-efficient required power regulation • Sensitive, proportional, independent control • Primary and secondary protection against overload 	<ul style="list-style-type: none"> • Suction valves for all work functions • Load-retaining and fine-drop valve in lifting circuit • Pipe-break protection valves for lifting cylinders • Grab and grab-rotating function • 2 additional circuits for additional consumer loads possible 	<ul style="list-style-type: none"> • Temperature-controlled fan for cooler • Max. oil flow 660 l/min • Max. operating pressure 320 bar • Operating modes: 3 pre-programmed modes (Fine, Eco, Power)
---	---	---

SWING ASSEMBLY

• Swing motor:	Axial piston motor with priority valve	• Max. swing speed 8.5/min
• Swing gear:	Planetary transmission	• Swing torque 103.38 kNm
• Swing brakes:	Automatic swing brakes	

TRACTION DRIVE AND BRAKES

• Variable displacement motor	• Maximum speed 20 km/h	• All-wheel drive
• 2-gear transmission	• Terrain speed 5 km/h	• Dual circuit brake system Multi-disc
• Double-acting brake valve	• Crawling speed 1 km/h	• Parking brake spring-loaded brake
• Driving direction pre-selection via lever at steering-wheel		

UNDERCARRIAGE

• 56 t special excavator axles	• Steering axle with automatic oscillating axle blocking	• 8 tyres 12.00 - 20
--------------------------------	--	----------------------------

FILL CAPACITIES

• Fuel tank 425 Liter	• Engine oil 21 Liter	• Hydraulics system 970 Liter
• Cooling system 48 Liter	• Hydraulic tank 505 Liter	• AdBlue [®] tank 32 Liter

DRIVER'S CAB

<ul style="list-style-type: none"> • Meets latest safety standards • Extra-wide entrance • Spacious leg room • Excellent circumferential visibility • Preparation for radio installation 	<p>CONTROL:</p> <ul style="list-style-type: none"> • Ergonomic joysticks • Slim steering column, height and tilt adjustable • Clear arrangement of control switches 	<p>SOUND LEVELS:</p> <ul style="list-style-type: none"> • ISO 6396 (LpA) in driver's cab 70 dB(A) • 2000/14EG (LwA) based on ambience level 103 dB(A)
	<p>CLIMATE CONTROL:</p> <ul style="list-style-type: none"> • Climatronic as standard • Very good air distribution 	
<p>DRIVER'S SEAT:</p> <ul style="list-style-type: none"> • Air-cushioned comfort seat (optional seat heating) • Arm rests and lumbar support • Seat adjustable separately from console 		

WORKING EQUIPMENT 350MH

Working Equipment

OPERATING WEIGHTS

	LOADING BOOM 8.70 m (C84.5i)		LOADING BOOM 10.60 m (C84.7i)
	Stick 5.50 m (D84.15i)	Stick 6.90 m (D84.16i)	Stick 7.75 m (D84.17i)
4 outriggers	33.2 t	33.5 t	34.3 t

Operating weight with driver, solid rubber tyres, completely filled implement and 1.5 t for attachments

EQUIPMENT

BASIC DEVICE ATLAS 350MH

- 350MH material handler with quadruple outrigger support and 2 lifting cylinders (A 84.32)

Standard equipment:

- Engine:
- Automatic idle
- Diesel pre-filter
- Engine monitoring
- Diesel particulate filters

Cab:

- Air conditioning with automatic control
- Preparation for radio installation
- Slim steering column, height and tilt adjustable
- Seat adjustable separately from console

Booms:

- Loading boom 8.70 m (C84.5i)
- Loading boom 10.60 m (C84.7i)
- Loading boom 11.60 m (C84.8i)

Sticks:

- Stick 5.50 m (D 84.15i)
- Stick 6.90 m (D 84.16i)
- Stick 7.70 m (D 84.17i)
- Stick 9.0 m (D84.18i)
(for loading boom 10.60 m only (C84.7i))

Hydraulics:

- Grab and grab-rotating function
- Accumulator for emergency lowering of the arm system
- Pipe break protection valves for lifting cylinders
- Max. load-limit control
- Cylinder end-position damping
- Electrical central lubrication

Equipment:

- Combined lubricating points for swing bearing and arm equipment

Undercarriage:

- Wet disc brakes

*further executions on request

ADDITIONAL EQUIPMENT

Engine:

- Refueling pump
- Auxiliary heating
- Cold startup assistance

Cab:

- Cab protection guard
- Beacon light
- Heated driver's seat
- Radio CD/MP3, front AUX in, USB

Undercarriage:

- Solid rubber tyres
- Tool box in the undercarriage

Hydraulics:

- Hydraulic kit, to operate front and rear supports separately
- Hydraulic kit, to operate supports per axle separately
- Bio oil

Lift Cab – 2.7 m

- Vario cab can be elevated 2 m high and 2 m forwards
- Cab elevation 0.6 m / 1.20 m / 1.50 m / 2 m
- Electric central lubrication system
- LED working lights

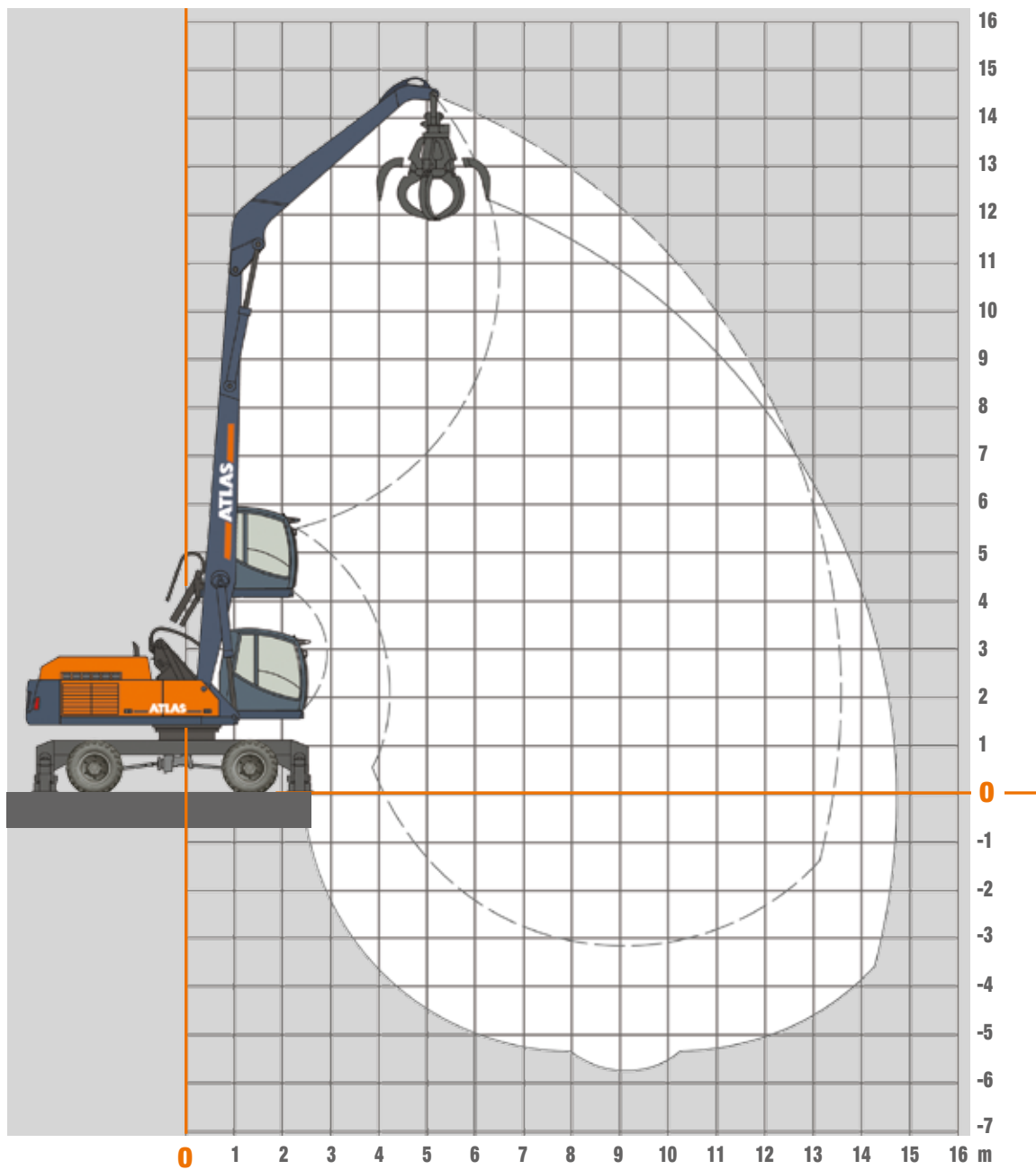
Other special equipment: See price list

ATTACHMENTS

- Clamshell grab
- Load hook
- Log grab
- Orange peel grab
- Load lifting magnet

WORKING RANGES 350MH

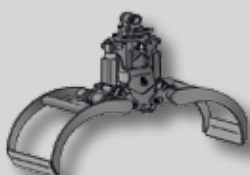
Working ranges Loading boom 8.70 m (C84.5i) and Stick 5.50 m (D84.15i)



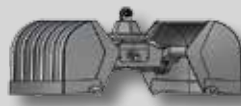
Attachments



Load hook



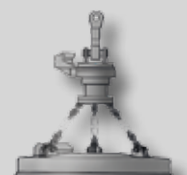
Log grab



Clamshell grab



Orange peel grab



Load lifting magnet

LIFTING CAPACITIES 350MH

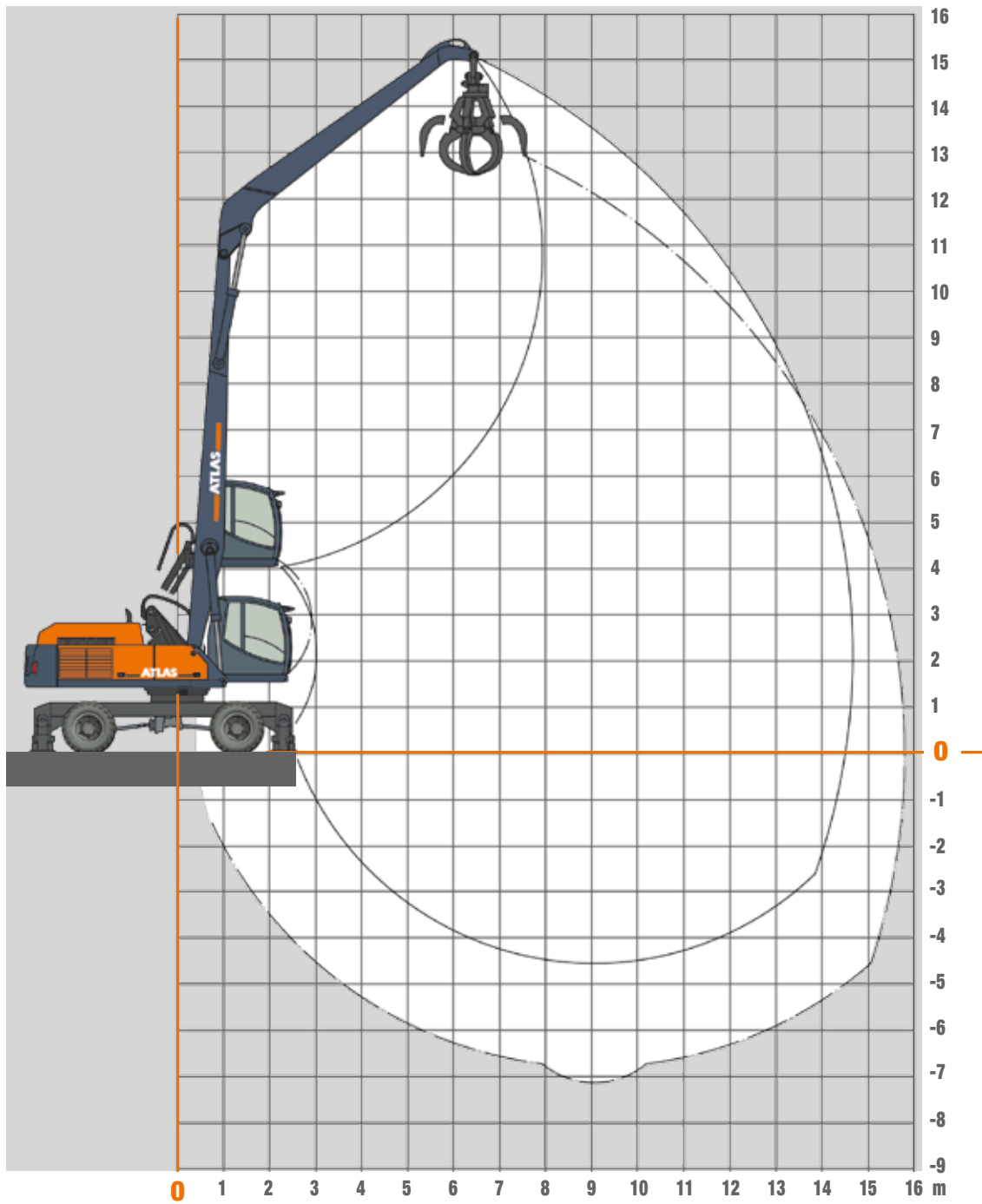
Lifting Capacities Loading boom 8.70 m (C84.5i) and Stick 5.50 m (D84.15i)

Lifting Capacities, Loading boom 8.70 m (C84.5i) with Stick 5.50 m (D84.15i). Max. reach 14.81 m															
HEIGHT		4.5 m		6.0 m		7.5 m		9.0 m		10.5 m		12.0 m		13.5 m	
		FRONT	LATERAL	FRONT	LATERAL	FRONT	LATERAL	FRONT	LATERAL	FRONT	LATERAL	FRONT	LATERAL	FRONT	LATERAL
+13.5 m	outriggers down			9654	9654										
	outriggers up			9654	8147*										
+12.0 m	outriggers down					7979	7979	7084	7084						
	outriggers up					7979	5835*	6779*	4247*						
+10.5 m	outriggers down					7905	7905	6980	6980	6267	6267				
	outriggers up					7905	5884*	6863*	4323*	5255*	3248*				
+9.0 m	outriggers down					8023	8023	7024	7024	6251	6251				
	outriggers up					8023	5816*	6833*	4296*	5274*	3265*				
+7.5 m	outriggers down			9899	9899	8305	8305	7175	7175	6312	6236*	5598	4994*		
	outriggers up			9899	8024*	8305	5642*	6718*	4192*	5217*	3213*	4155*	2500*		
+6.0 m	outriggers down	13804	13804	10636	10636	8707	8707	7390	7390	6412	6126*	5621	4942*		
	outriggers up	13804	11785*	10636	7662*	8707	5368*	6534*	4024*	5110*	3115*	4104*	2452*		
+4.5 m	outriggers down	15595	15595	11476	11476	9141	9141	7614	7580*	6509*	5983*	5631	4862*		
	outriggers up	15595	10488*	11476*	6941*	8330*	5020*	6303*	3815*	4971*	2986*	4026*	2379*		
+3.0 m	outriggers down	6721	6721	12106	12106	9465	9465	7765	7326*	6550*	5828*	5589	4770*	4701	3988*
	outriggers up	6721	6721	11021*	6279*	7913*	4651*	6057*	3591*	4820*	2847*	3936*	2296*	3278*	1875*
+1.5 m	outriggers down	3346	3346	12155	12155	9518	9238*	7755	7094*	6476	5684*	5454	4688*	4476	3950*
	outriggers up	3346	3346	10399*	5750*	7550*	4329*	5832*	3388*	4680*	2718*	3856*	2221*	3240*	1839*
0 m	outriggers down			11493	11493	9191	8979*	7510	6924*	6232	5577*	5164	4625*		
	outriggers up			10058*	5460*	7303*	4110*	5667*	3238*	4576*	2621*	3795*	2163*		
-1.5 m	outriggers down			10188	10188	8428	8428	6957	6823*	5742	5511*	4646	4591*		
	outriggers up			9931*	5352*	7175*	3997*	5570*	3150*	4511*	2562*	3761*	2132*		
-3.0 m	outriggers down							6033	6033						
	outriggers up							5539*	3121*						

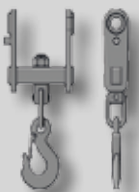
The specified max. loading capacities in kilogrammes (kg) include a stability of 25% or are calculated at 87% of the hydraulic lifting power, as per ISO10567. These values are applicable at the tip of the arm with optimum positioning of the corresponding arm system. Weights of attached load carrying accessories (grab, magnet, load hook, etc.) are not included with the load carrying values. *Value limited due to excavator stability.

WORKING RANGES 350MH

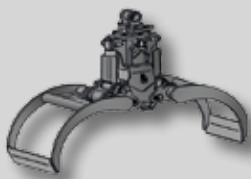
Working ranges Loading boom 8.70 m (C84.5i) and Stick 6.90 m (D84.16i)



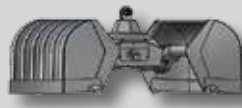
Attachments



Load hook



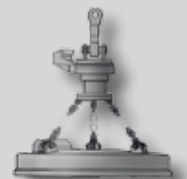
Log grab



Clamshell grab



Orange peel grab



Load lifting magnet

LIFTING CAPACITIES 350MH

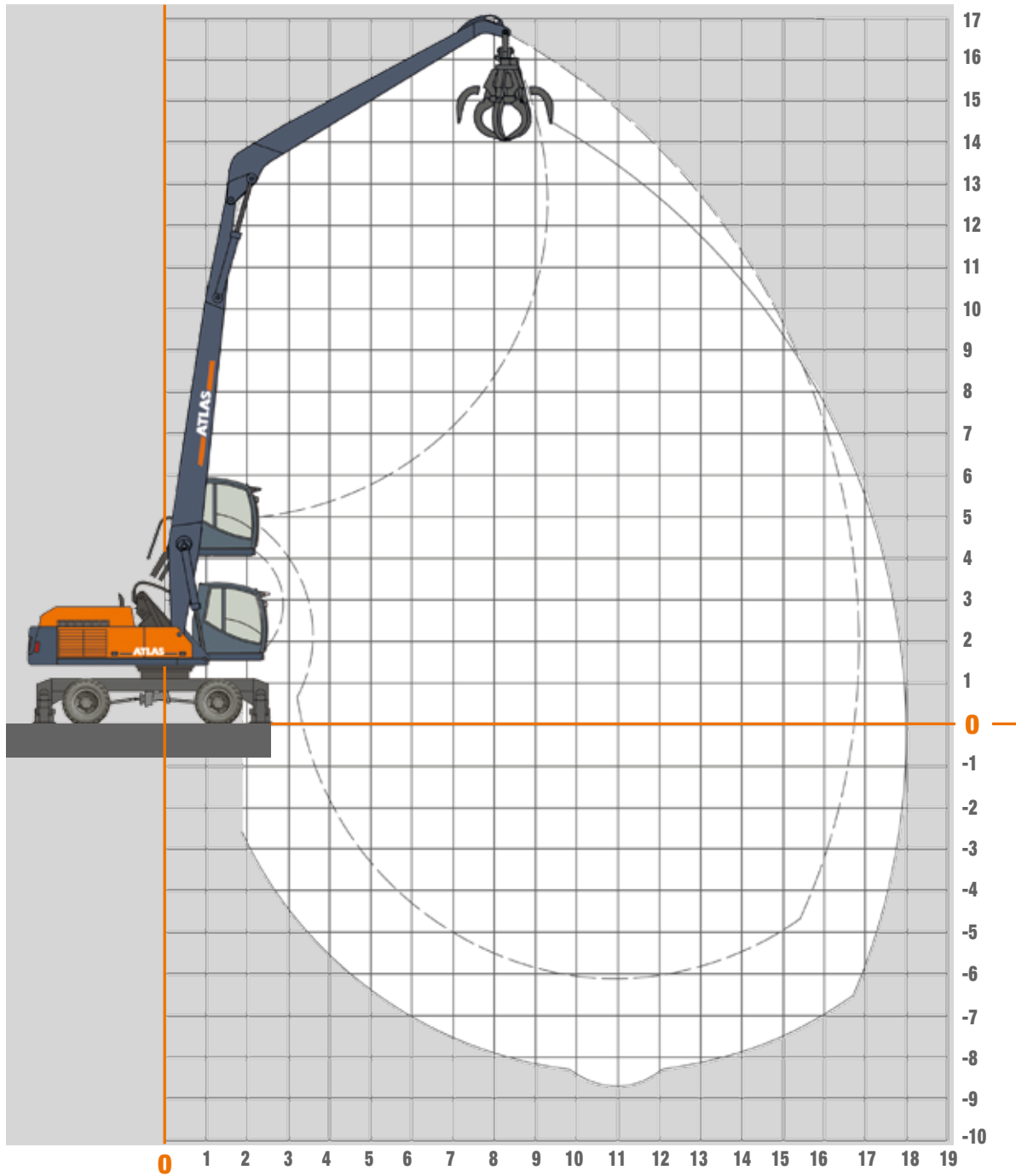
Lifting Capacities Loading boom 8.70 m (C84.5i) and Stick 6.90 m (D84.16i)

Lifting Capacities, Loading boom 8.70 m (C84.5i) with Stick 6.90 m (D84.16i), Max. reach 15.90 m																	
HEIGHT		4.5 m		6.0 m		7.5 m		9.0 m		10.5 m		12.0 m		13.5 m		14.5 m	
		FRONT	LATERAL	FRONT	LATERAL	FRONT	LATERAL	FRONT	LATERAL	FRONT	LATERAL	FRONT	LATERAL	FRONT	LATERAL	FRONT	LATERAL
+15.0 m	outriggers down																
	outriggers up																
+13.5 m	outriggers down					7375	7375	6597	6597								
	outriggers up					7375	6053*	6597	4390*								
+12.0 m	outriggers down							6405	6405	5825	5825						
	outriggers up							6405	4528*	5414*	3381*						
+10.5 m	outriggers down							6359	6359	5760	5760						
	outriggers up							6359	4563*	5474*	3436*						
+9.0 m	outriggers down							6433	6433	5788	5788	5245	5148*				
	outriggers up							6433	4519*	5456*	3419*	4302*	2624*				
+7.5 m	outriggers down					7528	7528	6610	6610	5886	5886	5285	5108*	4746	4149*		
	outriggers up					7528	5981*	6610	4402*	5376*	3346*	4262*	2588*	3431*	2009*		
+6.0 m	outriggers down			9479	9479	7959	7959	6866	6866	6030	6030	5353	5027*	4759	4111*		
	outriggers up			9479	8157*	7959	5701*	6765*	4217*	5246*	3225*	4183*	2514*	3395*	1974*		
+4.5 m	outriggers down	13180	13180	10409	10409	8474	8474	7159	7159	6189	6097*	5423	4919*	4764	4049*		
	outriggers up	13180	11778*	10409	7528*	8474	5325*	6502*	3979*	5077*	3070*	4077*	2415*	3334*	1917*		
+3.0 m	outriggers down	15499	15499	11325	11325	8961	8961	7423	7423	6320	5904*	5465	4795*	4736	3974*	4261	3538*
	outriggers up	15499	10227*	11325	6773*	8211	4894*	6207*	3710*	4889*	2897*	3956*	2302*	3260*	1848*	2889*	1603*
+1.5 m	outriggers down	7527	7527	11900	11900	9275	9275	7579	7187*	6373	5712*	5440	4672*	4644	3901*	4117	3492*
	outriggers up	7527	7527	10789*	6055*	7737*	4474*	5916*	3179*	4703*	2724*	3836*	2189*	3189*	1781*	2844*	1560*
0 m	outriggers down	5217	5217	11881	11881	9283	9037*	7547	6929*	6292*	5544*	5309	4566*	4448	3840*		
	outriggers up	5217	5217	10163*	5522*	7350*	4131*	5666*	3220*	4539*	2573*	3733*	2093*	3129*	1724*		
-1.5 m	outriggers down			11236	11236	8919	8773*	7271	6747*	6030	5424*	5020	4490*	4089	3799*		
	outriggers up			9818*	5229*	7097*	3907*	5491*	3061*	4422*	2465*	3658*	2023*	3088*	1686*		
-3.0 m	outriggers down			9997	9997	8137	8137	6686	6644*	5519	5353*	4504	4448*				
	outriggers up			9677*	5109*	6967*	3792*	5391*	2969*	4353*	2401*	3617*	1985*				
-4.5 m	outriggers down							5732	5732								
	outriggers up							5361*	2943*								

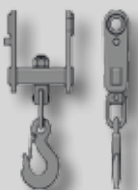
The specified max. loading capacities in kilogrammes (kg) include a stability of 25% or are calculated at 87% of the hydraulic lifting power, as per ISO10567. These values are applicable at the tip of the arm with optimum positioning of the corresponding arm system. Weights of attached load carrying accessories (grab, magnet, load hook, etc.) are not included with the load carrying values. *Value limited due to excavator stability.

WORKING RANGES 350MH

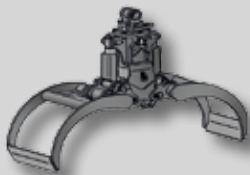
Working ranges Loading boom 10.60 m (C84.7i) and Stick 7.70 m (D84.17i)



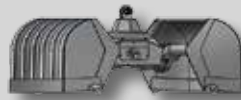
Attachments



Load hook



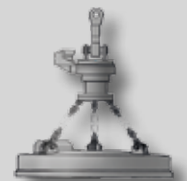
Log grab



Clamshell grab



Orange peel grab



Load lifting magnet

LIFTING CAPACITIES 350MH

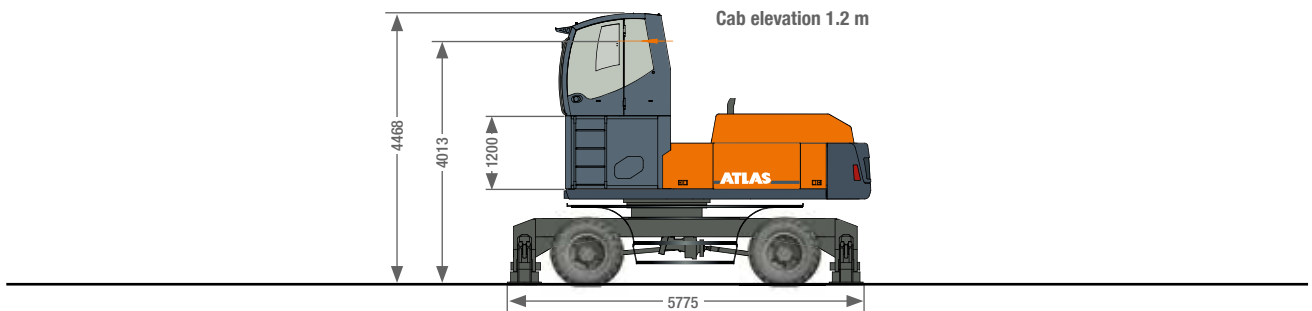
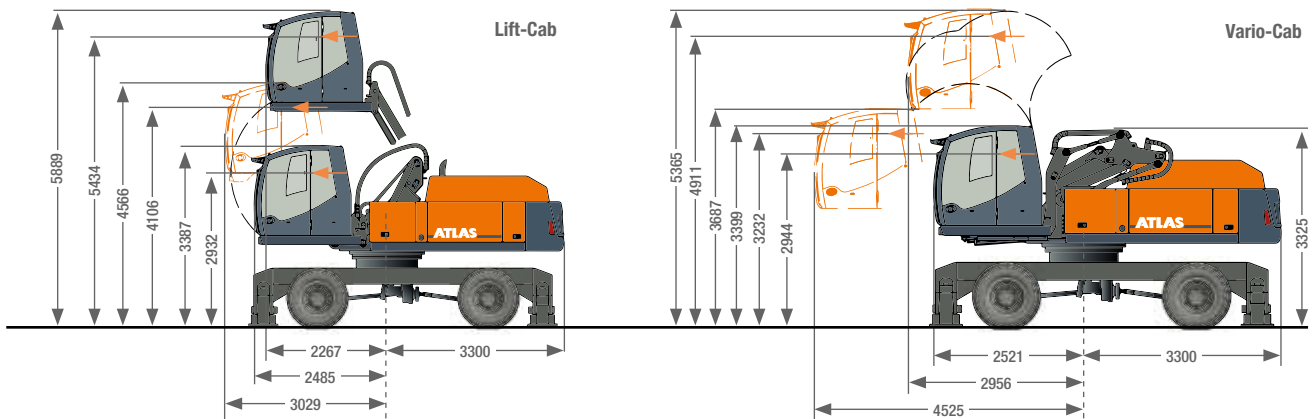
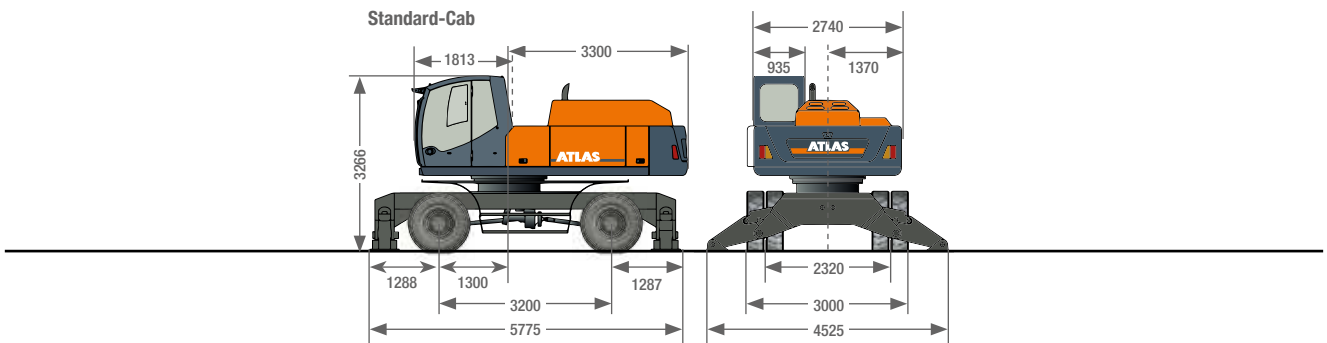
Lifting Capacities Loading boom 10.60 m (C84.7i) and Stick 7.70 m (D84.17i)

Lifting Capacities, Loading boom 10.60 m (C84.7i) with Stick 7.70 m (D84.17i). Max. reach 18.06 m																			
HEIGHT		4.5 m		6.0 m		7.5 m		9.0 m		10.5 m		12.0 m		13.5 m		15.0 m		16.5 m	
		FRONT	LATERAL	FRONT	LATERAL	FRONT	LATERAL	FRONT	LATERAL	FRONT	LATERAL	FRONT	LATERAL	FRONT	LATERAL	FRONT	LATERAL	FRONT	LATERAL
+16.5 m	outriggers down																		
	outriggers up																		
+15.0 m	outriggers down									4747	4747								
	outriggers up									4747	3542*								
+13.5 m	outriggers down									4662	4662	4269	4269						
	outriggers up									4662	3634*	4269	2747*						
+12.0 m	outriggers down									4653	4653	4244	4244	3906	3906				
	outriggers up									4653	3650*	4244	2781*	3565*	2113*				
+10.5 m	outriggers down									4706	4706	4270	4270	3909	3909				
	outriggers up									4706	3602*	4270	2757*	3567*	2116*				
+9.0 m	outriggers down							5412	5412	4815	4815	4338	4338	3944	3944	3607	3479*		
	outriggers up							5412	4628*	4815	3495*	4338	2685*	3524*	2075*	2849*	1593*		
+7.5 m	outriggers down					6550	6550	5648	5648	4970	4970	4436	4436	4002	4002	3634	3434*		
	outriggers up					6550	5995*	5648	4397*	4970	3332*	4271*	2572*	3444*	2000*	2804*	1550*		
+6.0 m	outriggers down			8583	8583	7009	7009	5937	5937	5154	5154	4554	4554	4073	4060*	3669	3364*		
	outriggers up			8583	7917*	7009	5536*	5937	4092*	5154	3122*	4115*	2426*	3338*	1900*	2736*	1486*		
+4.5 m	outriggers down	12875	12875	9459	9459	7510	7510	6243	6243	5347	5347	4674	4674	4143	3933*	3702	3279*	3309	2755*
	outriggers up	12875	10649*	9459	6959*	7510	4973*	6243	3730*	4899*	2878*	3933*	2257*	3213*	1782*	2652*	1406*	2201*	1098*
+3.0 m	outriggers down	1126	1126	10239	10239	7960	7960	6518	6518	5518	5518	4777	4584*	4198	3797*	3720	3186*	3293	2697*
	outriggers up	1126	1126	10239	5912*	7666*	4370*	5843*	3347*	4620*	2621*	3742*	2078*	3080*	1657*	2562*	1320*	2144*	1044*
+1.5 m	outriggers down			4432	4432	8254	8254	6707	6707	5635	5363*	4842	4394*	4222	3665*	3709	3095*	3247	2638*
	outriggers up			4432	4432	7047*	3822*	5447*	2987*	4353*	2374*	3557*	1905*	2950*	1535*	2472*	1235*	2086*	989*
0 m	outriggers down			3053	3053	8317	8238*	6766	6373*	5667	5124*	4845	4225*	4197	3545*	3654	3013*	3158	2589*
	outriggers up			3053	3053	6569*	3398*	5117*	2688*	4121*	2160*	3391*	1751*	2833*	1424*	2391*	1158*	2038*	943*
-1.5 m	outriggers down			3119	3119	7541	7541	6662	6121*	5587	4938*	4764	4089*	4104	3449*	3538	2950*		
	outriggers up			3119	3119	6256*	3121*	4873*	2467*	3939*	1992*	3258*	1626*	2739*	1336*	2330*	1100*		
-3.0 m	outriggers down			3637	3637	7113	7113	6387	5970*	5381	4816*	4583	3998*	3922	3384*	3332	2909*		
	outriggers up			3637	3637	6093*	2976*	4727*	2334*	3821*	1883*	3169*	1543*	2675*	1276*	2289*	1062*		
-4.5 m	outriggers down					7017	7017	5917	5899*	5017	4752*	4267	3948*	3615	3352*	2995	2896*		
	outriggers up					6037*	2926*	4659*	2272*	3759*	1826*	3120*	1498*	2643*	1246*	2276*	1050*		
-6.0 m	outriggers down									4464	4464	3781	3781						
	outriggers up									3749*	1817*	3114*	1492*						

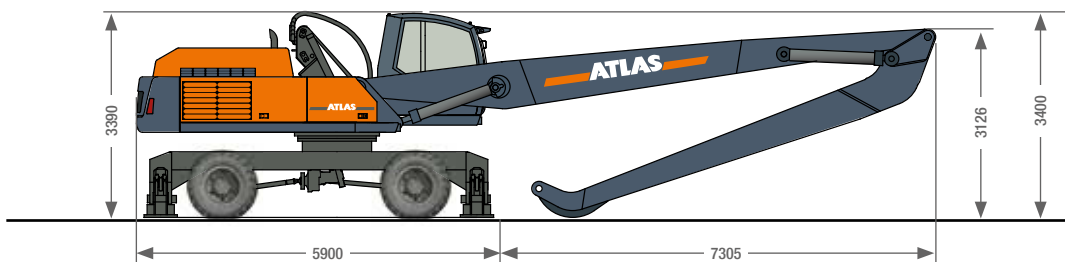
The specified max. loading capacities in kilogrammes (kg) include a stability of 25% or are calculated at 87% of the hydraulic lifting power, as per ISO10567. These values are applicable at the tip of the arm with optimum positioning of the corresponding arm system. Weights of attached load carrying accessories (grab, magnet, load hook, etc.) are not included with the load carrying values. *Value limited due to excavator stability.

DIMENSIONS 350MH

Dimensions



Further cabin versions on demand.



A84.32, C84.6I, D84.16I

GANDERKESEE FACTORY

Atlas GmbH
Atlasstraße 6
D-27777 Ganderkesee,
Germany

Tel.: +49 (0) 4222 954 0
Fax: +49 (0) 4222 954 220
E-mail: info@atlasgmbh.com
www.atlasgmbh.com



VECHTA FACTORY

Atlas GmbH
Theodor-Heuss-Str. 3
D-49377 Vechta
Germany

T: +49 (0) 4441 954 0
F: +49 (0) 4441 954 299
E-mail: info@atlasgmbh.com
www.atlasgmbh.com



DELMENHORST FACTORY

Atlas GmbH
Stedinger Straße 324
D-27751 Delmenhorst
Germany

T: +49 (0) 4221 49 10
F: +49 (0) 4221 49 14 43
E-mail: info@atlasgmbh.com
www.atlasgmbh.com



ATLAS CRANES UK LTD NATIONAL SALES & SERVICE FACILITY

Wharfedale Road,
Euroway Trading Est.
Bradford, England BD4 6SL
United Kingdom

T: +44 8444 99 66 88
F: +44 1274 65 37 85
E-mail: atlasuk@atlasgmbh.com
www.atlas-cranes.co.uk
www.atlasgmbh.com



SINCE 1919
ATLAS



www.atlasgmbh.com

ATLAS GmbH

EXCAVATORS

Atlasstraße 6

D-27777 Ganderkesee, Germany

T: +49 (0) 4222 954 0

Fax: +49 (0) 4222 954 220

info@atlasgmbh.com